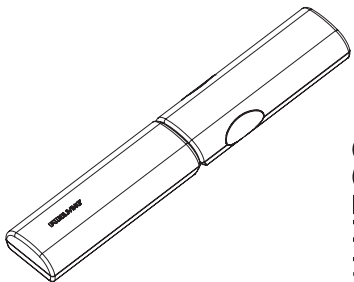


PureLiving™  
www.purelivinguvc.com



**PORTABLE UVC PURIFYING WAND**

---

**USER MANUAL**

# TABLE OF CONTENTS

PREFACE	3
IMPORTANT SAFETY INSTRUCTIONS	4
GENERAL PRODUCT INFORMATION	6
USAGE INSTRUCTIONS	6
UNPACKING	6
PRODUCT INTRODUCTION	7
OPERATING INSTRUCTIONS	8
SAFETY CAUTIONS WHEN IN USE	9
PRODUCT TECHNICAL DATA	10
LEGAL NOTICE	12
ACCESSORIES	12
CUSTOMER SERVICE	12
WARRANTY	13
WARRANTY CONDITIONS	15

## ATTENTION:

Sino Mind Group Hong Kong Co., Ltd. reserves the right for final explanation of all contents in the operation and installation manual.

## PREFACE

Thank you for choosing PURELIVING's UV-C Sanitizing System!

Please read through the specifications carefully prior to usage of the product.

Any failure and losses caused by ignoring the following mentioned statements in this instruction manual are not covered by our warranty or any liability. If you have any doubt, please contact our local service center or dealer.

If you need the user manual in a different language, please send an E-mail to us and we will E-mail or mail a copy to you.

# PureLiving™

PURELIVING Appliances

Website: <http://www.purelivinguvc.com>

Email: [service@purelivinguvc.com](mailto:service@purelivinguvc.com)

Manufacturer: A&T Eco-Development Ltd.

Manufactured in China.

# IMPORTANT SAFETY INSTRUCTIONS

## PLEASE READ ALL INSTRUCTIONS BEFORE USING!

Before using any electrical product, basic safety precautions should always be observed, including the following:

**DANGER** - To reduce the risk of burns, electrocution, fire, or injury to persons:

- Prior to the use of the appliance, read through the instructions thoroughly and retain it in a safe place for future reference. The manufacturer shall not be responsible for any liability arising from the misuse of the product.
- Only use the purifying wand indoors and within the specified technical data. Improper use of the appliance may result in injuries that may be hazardous to health.
- Improper electrical connection can result in a risk of electrical shock. Ensure that the electrical wiring of the vicinity complies with all local electrical codes.
- The appliance must be dry and only to be used in a dry location before plugging into an electrical outlet.
- Never use the appliance if it is damaged in any way such as a damaged cord or plug, not working properly, or has been dropped from a considerable height. Return the appliance immediately to PURELIVING service center for examination and / or repair.
- This is not a toy! Please keep it out of reach from children! Children are not able to recognize the hazards associated with the usage of electrical appliances. Children should never be allowed to operate this device, and always provide supervision when they are near the appliance when it is in use.
- The appliance should be placed on a dry levelled surface in an elevated position. Never place appliance on wet and uneven surface.
- Always disconnect the supply from the electrical outlet immediately after using and before cleaning. Never pull the plug from the outlet by the cable with force or with wet hands.
- Only operate the appliance when it is in a complete assembled state.
- Do not submerge in water or any other forms of liquids into or onto the appliance. Always clean the appliance with dry duster cloth.
- Never load heavy or sharp-edged object on the appliance.

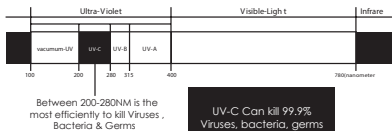
- Do not reach for an appliance that has fallen into the water. Unplug immediately.
- Never directly shine the appliance when in use on people's eyes and body.
  
- Use this product only for its intended use as described in this manual. Do not use beyond the recommendation of the manufacturer.
  
- CAUTION: Risk of electric shock, do not remove cover (or back). Refer servicing to qualified service personnel.
  
- Never use this appliance directly on animals.
  
- Persons who are not familiar with the usage instructions, as well as children and persons under the influence of medication, alcohol, or drugs are advised against the operation of this appliance.
  
- As a user, you are responsible for the maintenance and proper use of the appliance at home.
  
- Do not use when outdoors or operate where aerosol (spray) products are being used.
  
- Do not place or store appliance where it is prone to fall or near water / fire hazards.
  
- Do not place / drop appliance in any liquid.
  
- Keep the product away from heater or any direct source of heat.
  
- Do not look directly at the UV-C light. To avoid direct contact of UV-C radiance from your eyes and skin, always keep a distance of one meter from the UV-C light, If there are any signs of skin rashes, swelling, sunburn etc from direct exposure to the UV-C light, please stop using the appliance and seek medical advice immediately.
  
- The battery must be removed from the appliance before it is scrapped.
  
- The appliance must be disconnected from the supply mains when removing the battery.
  
- The battery is to be disposed off safely.
  
- Never use non-rechargeable batteries. Always use PURELIVING rechargeable batteries.
  
- Stop using the rechargeable batteries if there are any battery leakage. Dispose the batteries immediately.

**SAVE THESE INSTRUCTIONS!!**

## GENERAL PRODUCT INFORMATION

PURELIVING aims to provide all households with innovative cleanliness and safety products for home and kitchen use through the latest Ultraviolet light technology to promote an enjoyable, clean, pure, and healthy lifestyle.

Ultraviolet light represents the frequency between 200 to 400 nanometers (nm) and cannot be seen with the naked eye. UV-C, germicidal ultraviolet light is one of the distinct bands of UV light that ranges between 200nm to 280nm, in which is effective in microbial control. UV-C band is the most effective frequency in which to kill bacteria, germs, and viruses up to 99.9% efficiency.



UV-C sanitizer appliance helps eliminate disease-causing bacteria, viruses and fungi in households and reduces odors, keeping our household in a clean antiseptic environment. The appliance is user friendly and is 100% chemical free that helps protect our environment.

## USAGE INSTRUCTIONS

Note: Before installation, please check the accessories with the product in terms of the following content in the packing list.

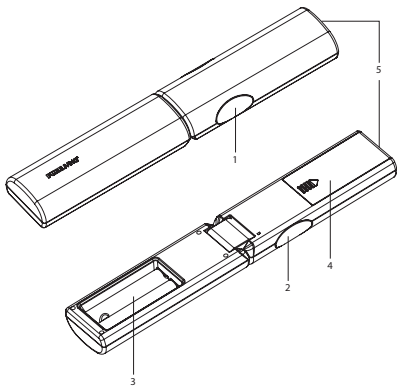
- 1) Purifying Wand x 1 Unit
- 2) Rechargeable Battery
- 3) Power Adapter x 1 Unit
- 4) Instruction Manual x 1 Booklet
- 5) Warranty Card x 1 Card

## UNPACKING

- Carefully remove the sanitizer appliance out from the box.
- Remove all plastic bag and thin film from the appliance.
- Read the instruction manual and rating label carefully.
- All packaging materials are environmental friendly and recyclable.
- When disposing, please environmental protection guidelines.
- Please keep children away from packaging materials as they may play with the thin film and packaging and cause unwanted chokes and result in medical emergency.

# PORTABLE UVC PURIFYING WAND

## PRODUCT INTRODUCTION



- 
- 1.ON/OFF Button
  2. "HOLD" Button
  - 3.UV-C Bulb

- 4.Lithiumion Battery Box
5. Wand Outlet

# OPERATING INSTRUCTIONS

**NOTE:** The appliance is designed for rechargeable batteries only.

Always use rechargeable batteries for the appliance.

Do not use alkanline batteries.



1) Plug the adapter into an electrical outlet.



2) To charge the appliance, simply plug the charging end of the adapter into the appliance. It will take approximately 70 minutes for a full charge.



3) The appliance can also be use directly by plugging the adapter into the electrical outlet while it is being charged.

4) The appliance can be use without the cord when it is fully charged. Fully charged batteries can supply continuous power to the wand for 1 hour. Simply wave the wand across any surface for decontamination and sanitization.



5) Activate the appliance using the ON/OFF switch. Approximately 5 mintes after it is switched on, the sanitizer will reach its full output level. The turned-on green LED light means the appliance is in sanitizing mode on the display screen.



6) Safety control sensor is built in to the wand. When the appliance is turned to either sides or up-side-down, thereby exposing the UV-C light to user, the appliance will automatically shut off. It will only be operable when the UV-C light faced downwards. The appliance will also turn off when folded into its storage state.





7) To clean unreachable areas or underneath surface areas, the appliance's "Hold" button can override the safety control setting, allowing 360 degrees mobility. Simply press the "HOLD" button on the wand to sanitize in different angles. Do not expose UV-C light directly on human eyes and skin nor on any household pets.



8) The appliance will turn off automatically after the prescribed 20 minutes time period has passed.



9) When the ON/OFF button continuously flashes, it is an indication that battery is low on power. The flashing light will flash for 1 minute, and will shut off thereafter. Recharge to use. When fully charged, the red indicative light will go off.



#### NOTES:

- Remember to turn off the charger after the appliance has been fully charged to conserve energy.
- Do not unplug forcefully.

## SAFETY CAUTIONS WHEN IN USE

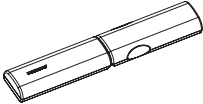
- Keep children away from the appliance to avoid undersired burns, electric shocks, or other medical emergencies.
- Do not plug/ unplug the power supply with wet hands.
- Upon suspicion of any UV leakage during use, deactivate the appliance. immediately and notify specialized technicians for servicing.
- Do not soak or sprinkle any liquid or forms thereof on the appliance, as it may result in an electric shock or a short circuit.
- Do not attempt to use the adapter with any other product not attempt to supply this product with another adapter. Use only the adapter model supplied with this appliance.

For more information, please visit:

**[www.purelivinguv.com](http://www.purelivinguv.com)**

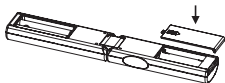
## PRODUCT TECHNICAL DATA

### PORTABLE UVC PURIFYING WAND

MODEL NO.	PPUPW
APPEARANCE	
RATED POWER	DC 15V, 7.5W
ADAPTER VOLTAGE	100 - 240V / 50-60Hz
UV WAVE LENGTH	300nm
POWER OF UV-C BULB	1 x 5w
PRODUCT DIMENSIONS	253 x 45 x 23 mm

## LITHIUMION BATTERY

APPEARANCE



TYPE

Lithium

CAPACITY RATING

500mAh

VOLTAGE RATING

11.1V

# LEGAL NOTICE

PATENT PENDING

## ACCESSORIES

Please contact your local retailer or check our website [www.purelivingvc.com](http://www.purelivingvc.com) for accessories and re-order information.

## CUSTOMER SERVICE

Note: Only qualified technicians are recommended to provide any repair for the appliance.

Any other persons are advised not to repair the appliance, and PURELIVING will not be responsible for any liability arising from the result thereof.

Should your appliance be exhibiting abnormal signs during operation, discontinue use and contact PURELIVING's local service center or dealer.

Customer Service Contact (HONG KONG): (852) 2377 0788

Customer Service Email: [service@purelivingvc.com](mailto:service@purelivingvc.com)

## WARRANTY (Limited One Year Warranty)

PURELIVING sells its products with the intent that they are free of defects in manufacture and workmanship for a period of one year from the date of original purchase, except as noted below. PURELIVING warrants that its product will be free of defects in material and workmanship under normal use and circumstances. This warranty extends to consumers only and not to Retailers.

This warranty does not cover damage caused by misuse or abuse; accident; the attachment of any unauthorized accessory; alteration to the product; improper installation; unauthorized repairs or modifications; improper use of electrical/ power supply; loss of power; dropped product; malfunction or damage of an operating part from failure to provide manufacturer's recommended maintenance; transportation damage; theft; neglect; vandalism, environmental conditions; loss of use during the period the product is at repair facility or otherwise awaiting parts or repairs; or any other conditions whatsoever that are beyond the control of PURELIVING.

This warranty is effective only if the product is purchased and operated in the country in which the product is purchased. A product that requires modifications or adoption to enable it to operate in any other country other than the country for which it was designed, manufactured, approved and/or authorized, or repair of products damaged by these modifications is not covered under this warranty.

The warranty provided herein shall be the sole and exclusive warranty. There shall be no other warranties expressed or implied including any implied warranty of merchantability or fitness or any other obligation on the part of the company with respect to products covered by this warranty. PURELIVING shall have no liability for any incidental, consequential or special damages. In no event shall this warranty require more than the repair or replacement of any part or parts which are found to be defective within the effective period of the warranty. No refunds will be given. If replacement parts for defective materials are not available, PURELIVING reserves the right to make product substitutions in lieu of repair or replacement.

This warranty does not extend to the purchase of opened, used, repaired, repackaged and/ or resealed products, including but not limited to sale of such products on Internet auction sites and/or sales of such products by surplus or bulk resellers. Any and all warranties or guarantees shall immediately cease and terminate as to any products or parts thereof which are repaired, replaced, altered, or modified, without the prior express and written consent of PURELIVING.

This warranty provides you with specific legal rights. You may have additional rights which may vary from country to country. Because of individual country regulations, some of the above limitations and exclusions may not apply to you.

For more information regarding our product line in the USA,  
please visit: **[www.purelivingvc.com](http://www.purelivingvc.com)**

# WARRANTY CONDITIONS

1.This product is guaranteed by Sino Mind Group Ltd. to be free from defects in materials and workmanship for 1 year from the date of original purchase.

2.Repair service under the terms of this Warranty may only be provided by Sino Mind Group Ltd. or its authorized agents. No payment will be issued.

3.This guarantee excludes

a)Through accident, misuse, wear and tear, neglect. Installations and/or use in a manner inconsistent with technical and safety standards in a country other than the country of purchase.

b)Alterations or adjustments made to the equipment (whether for the purpose of making the equipment conform to the technical and safety standards enforce in another European country or otherwise).

4.No liability under this guarantee shall be incurred:

a)In the respect to damage or loss occurring during transit to or from the purchaser.

b)Where the serial number plate of the equipment has been removed or altered in nontransferable.

5.This guarantee is personal to the original purchaser and is nontransferable.

6.If the equipment, in respect of which claim hereunder is made, is found on examination to comply with the published specification, a test fee will be incurred.

7.No dealer has any authority to vary the terms of this guarantee.

We advise the purchaser to attach this guarantee to your receipt.

PURELIVING aims to provide a service facility second to none.

You can help us achieve this aim.

1.Keep your purchase receipt in a safe place. Warranty work cannot be carried out without this.

2.Should you feel that a problem has developed with your satritizer, fist consult your instruction book.

To secure your standard limited warranty, Please Register Your Product Onlint at:

**[www.purelivingvc.com](http://www.purelivingvc.com)**

Moder Number: \_\_\_\_\_ Serial Number:

